

DATAQ 2000361 Family Pressure Transmitter

The DATAQ 2000361 pressure transmitter stands out as a pinnacle of stability, harnessing a specialized ASIC signal conditioning chip in tandem with a high-performance SS316L diaphragm diffused silicon (2000361-HS/HSX) and Ceramic (2000361) pressure sensor. This unique integration allows the internal ASIC circuit to seamlessly convert millivolt signals into standard voltage or current outputs. Its versatility extends to effortless connectivity with PC interface cards, control instruments, smart gauges, or PLC systems. Notably compact and constructed with a lightweight yet robust stainless steel sealing structure, this transmitter thrives even in corrosive environments, ensuring unwavering performance



Application

DATAQ 2000361 family pressure transducer is solution for below applications:

- Pressure measurement of gas, vapor or liquid in various areas;
- Liquid level, volume or mass measurement;
- Integrated in a variety of user-defined solutions;
- Smart water and gas management system, smart fire controlling, automotive electronics controlling, air compressor, HVAC, pump, valve and etc;

Features

- Specific high performance ASIC conditioning circuit;
- 2000361-HS/HSX: Diffused silicon pressure sensor;
- 2000361: Ceramic pressure sensor;
- Stainless steel housing;
- 0.5...4.5V or 4...20mA analog output;
- Fast respond, no hysteresis ;
- Various process thread or other customization port acceptable;
- Accurate, stable and reliable

Specifications

Performance

Input	
Pressure type	Gauge pressure
Measuring range	-14.5 to 10000 PSI
Output	
2000361/-HS	0.5-4.5V
2000361-HSX	4-20mA
2000361	Linearity, hysteresis, repetitiveness : < 2 % sensor full range
2000361-HS/HSX	Linearity, hysteresis, repetitiveness: <0.5% sensor full range
Overload	
2000361: 1.5 X. 2000361-HS/HSX: 2.5X pressure sensor full scale	
Housing Info.	
Housing Material	SS 304
Wetting Material	SS316L
Ingress Protection	IP67

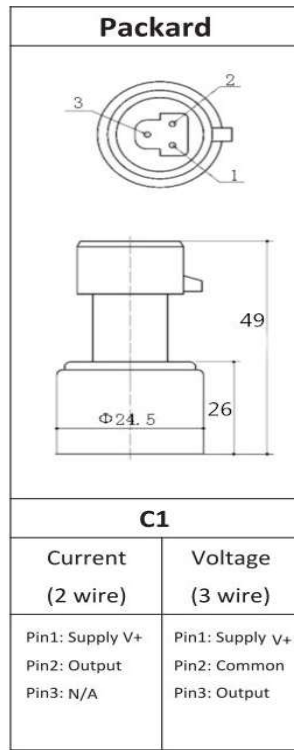
Power Supply

2000361-HSX	8-30VDC regulated power supply
2000361 2000361-HS	4.75 -5 .25 VDC regulated power supply

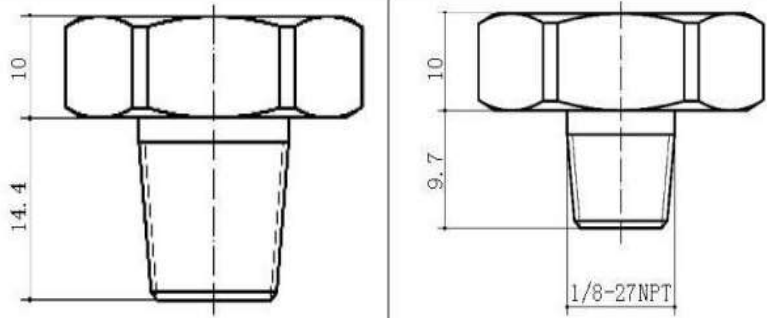
Operating Temperature

2000361	-20C to 70C
2000361-HS/HSX	-40C to 85C

Electrical connection



Process connection

Thread	1/4-18NPT	1/8-27NPT
Units in mm		
Hexagon is 25 mm		
Code	P2	P3